

MAIN SPECIFICATIONS

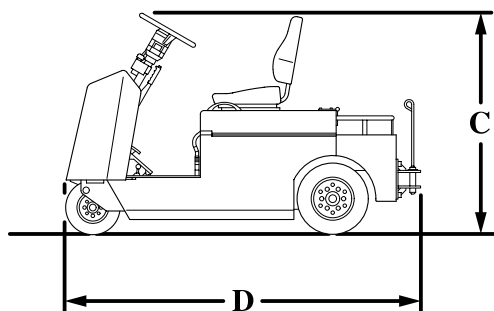
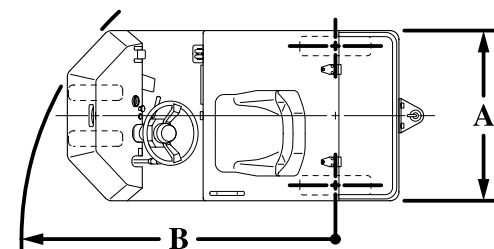
Model			CBT4	CBT6	CBTY4
Operator Position			Rider Seated	Rider Seated	Stand up
Maximum Drawbar Pull	3-Minute Ratings	N (kg)	3920(400)	4410(450)	3920(400)
	60-Minute Ratings	kg	4000	6000	4000
Overall Width	A	mm	965	965	965
Turning Radius (Outside)	B	mm	1775	1775	1600
Overall Height	C	mm	1250	1250	1185
Overall Length	D	w/ Hitch	2020	2020	1755
		w/o Hitch	1880	1880	1615

BATTERY AND MOTOR SPECIFICATIONS

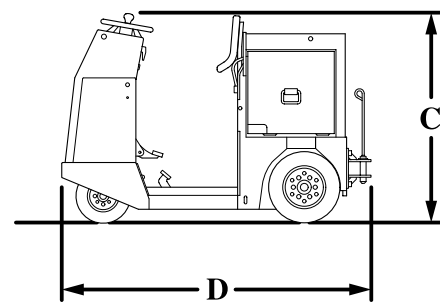
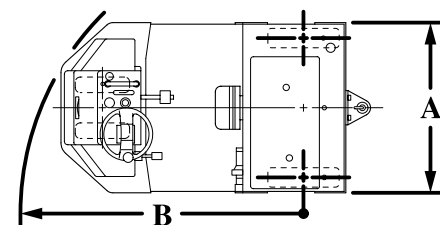
Model			CBT4	CBT6	CBTY4	
Battery	Voltage/Capacity (5-hour ratings)	STD	V/AH	48/210<216>	48/280<216>	48/160
		High	V/AH	48/280<305>	48/370<305>	48/250
Electric Motor	Drive	kW	2.6	4.9	2.6	
Control Type			Transistor Chopper	Transistor Chopper	Transistor Chopper	

NOTE : < > for Roll-out type battery

■ CBT4 / CBT6



■ CBTY4



Availability and specifications are determined regionally and are subject to change without notice.
Please consult your Toyota representative for details.

Printed on recycled paper.



TOYOTA Material Handling Company
A Division of TOYOTA INDUSTRIES CORPORATION

CAT.CBT4-6/CBTY4(E)/E-0309/©/Printed in Japan/No.711090E0/2,500

ELECTRIC POWERED TOWING TRACTOR

CBT/CBTY

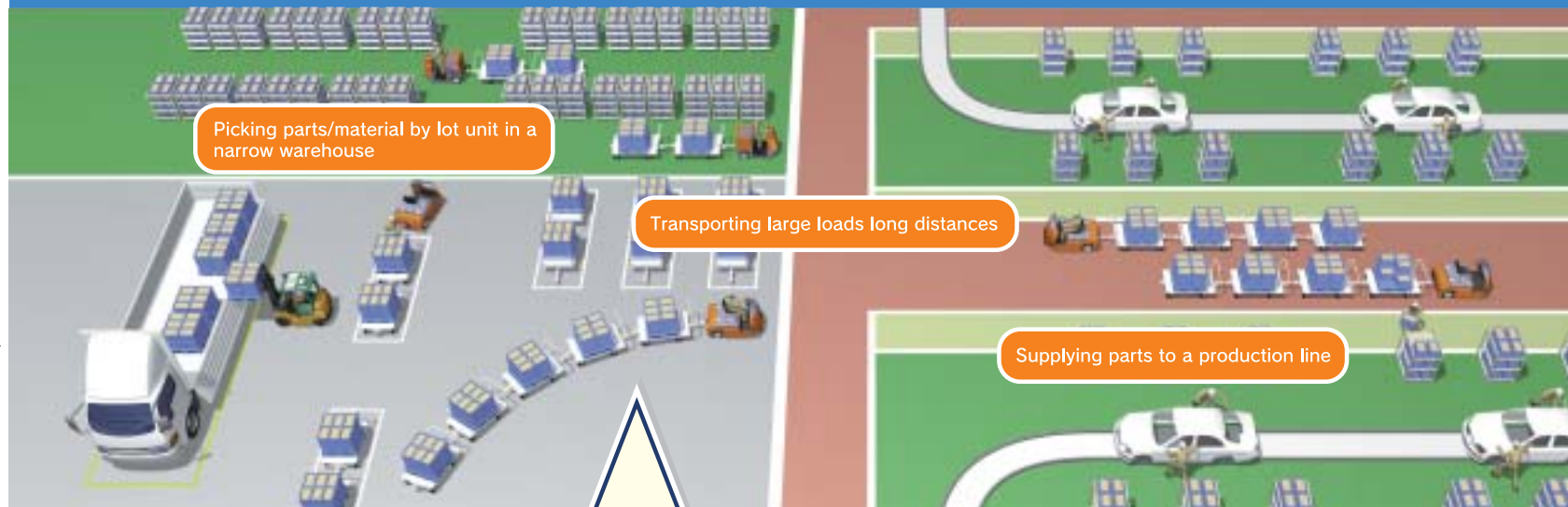
SERIES





If You Are Using Forklifts to Transport Materials...

Forklifts are widely used in various logistics situations, from material-handling to transportation. For economy and efficiency, however, forklifts are not the best choice for handling, picking or long-distance transportation of a wide variety of items in bulk or lot unit. Compact towing tractors CBT4/6 (sit-down type) and CBTY4 (stand-up type), which enable easy long-distance transportation of large quantities of materials and provide operator-friendly superior maneuverability and operability, are your powerful material-handling partners in horizontal transportation.



Drastic reduction in transportation time and cost Comparison with forklift in time and cost of transporting items by lot unit



By towing loaded dollies linked in series, the CBT/CBTY can transport large loads at one time. A forklift must travel back and forth many times to transport the same load volume.

Superior Basic Performance

Compact yet powerful

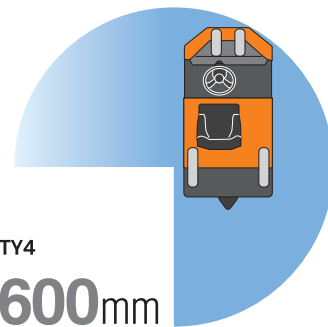
Small but powerful drive motor
Models CBT4 and CBTY4 provide 2.6kW power, enabling easy transportation of large loads.

Maximum speed	No load	Towed load of 2 t
	CBT4 CBTY4	13.5 km/h
Maximum speed	No load	Towed load of 3 t
	CBT6	18 km/h

Small turning radius

Compact body means small turning radius, enabling smooth travel in limited space.

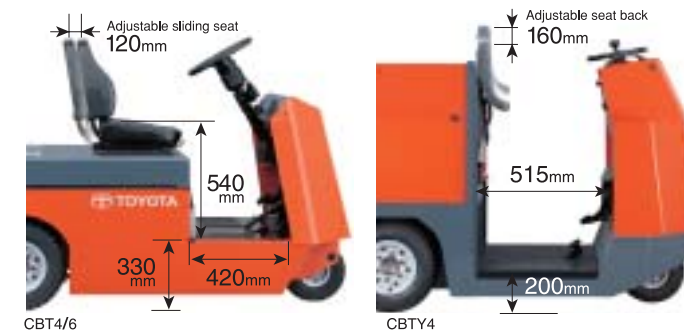
Turning radius	
CBT4/6	1,775mm
CBTY4	1,600mm



Operator-friendly maneuverability

Wide entry/exit and ergonomically optimal driving position

Wide entry/exit opening (420mm for CBT4/6; 515mm for CBTY4) enables operator to easily mount/dismount frequently. In addition, vertically adjustable sliding seat (CBTY4) and ergonomic seat design with optimal hip-point height (CBT4/6) enhance operator comfort.



Full-open hood for easy battery check

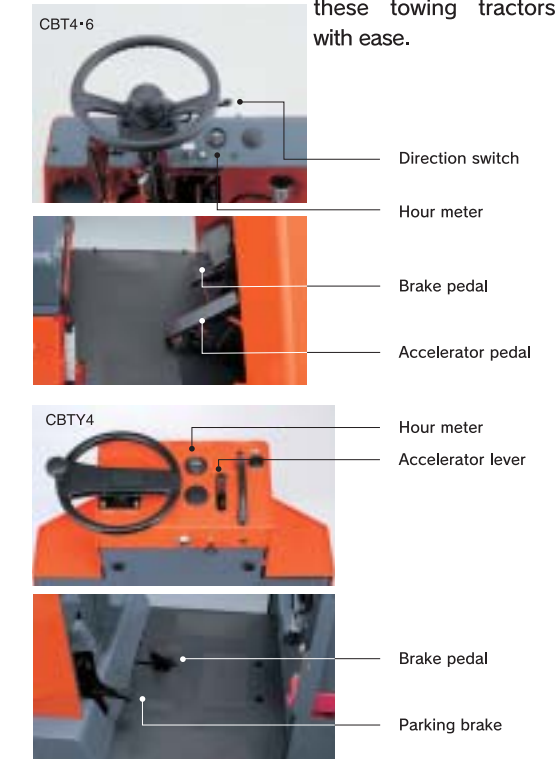


Battery roll-out for easy battery replacement



Easy to operate, even the first time

Easy-view instrument panel and easy-maneuver driving systems enable even first-time operators to operate these towing tractors with ease.



Optional Equipment

Variety of optional equipment is available to increase operation efficiency and comfort.

Seat switch (CBT4/6 OPT)

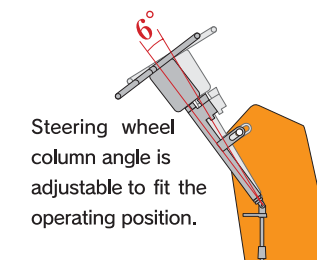
Seat switch detects presence of operator. Various features interlocked with seat switch increase operation efficiency.

- The travel circuit is automatically cut when no operator is on seat. Unless operator is seated, CBT vehicle will not move even if accelerator pedal is pressed.
- Headlamp and tail lamp are automatically turned off if operator leaves vehicle without turning them off.



Tilt steering (CBT4/6 OPT)

Steering wheel column angle is adjustable to fit the operating position.



Rear-drawbar lever type (CBT4/6 OPT)

Dollies can be disconnected easily by seated operator.



Front bumper (CBT4/6 OPT)



Turn signal lights

